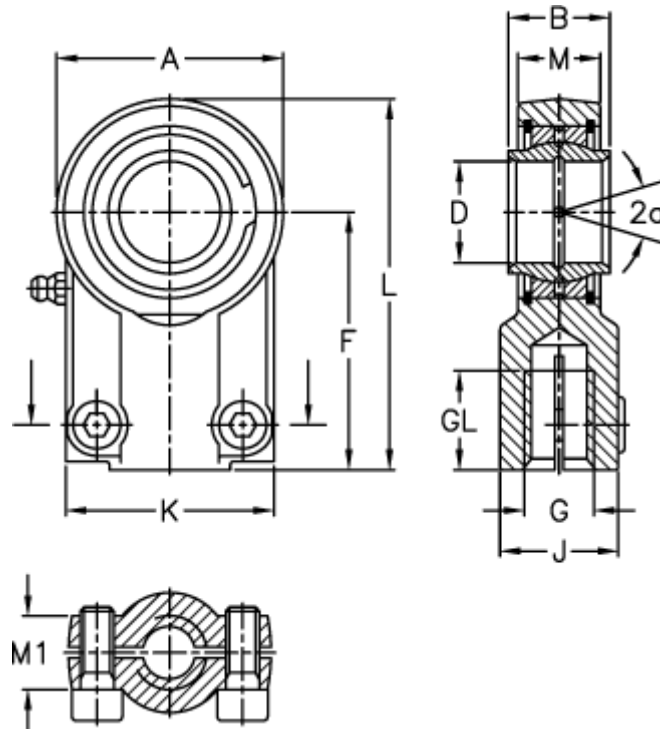


Article number: 03551110

Description: Fluro hydraulic rod end FPR 110CE

Measures



A	= 235	J	= 125
a (degrees)	= 4	K	= 190
B	= 110	L	= 364
D	= 110	M	= 88
Dynamic load C (kN)	= 655	M1	= 62
F	= 235	Static load C0 (kN)	= 1200
g	= M90x3	Torque (N m)	= 710
GL	= 106	Weight	= 32000